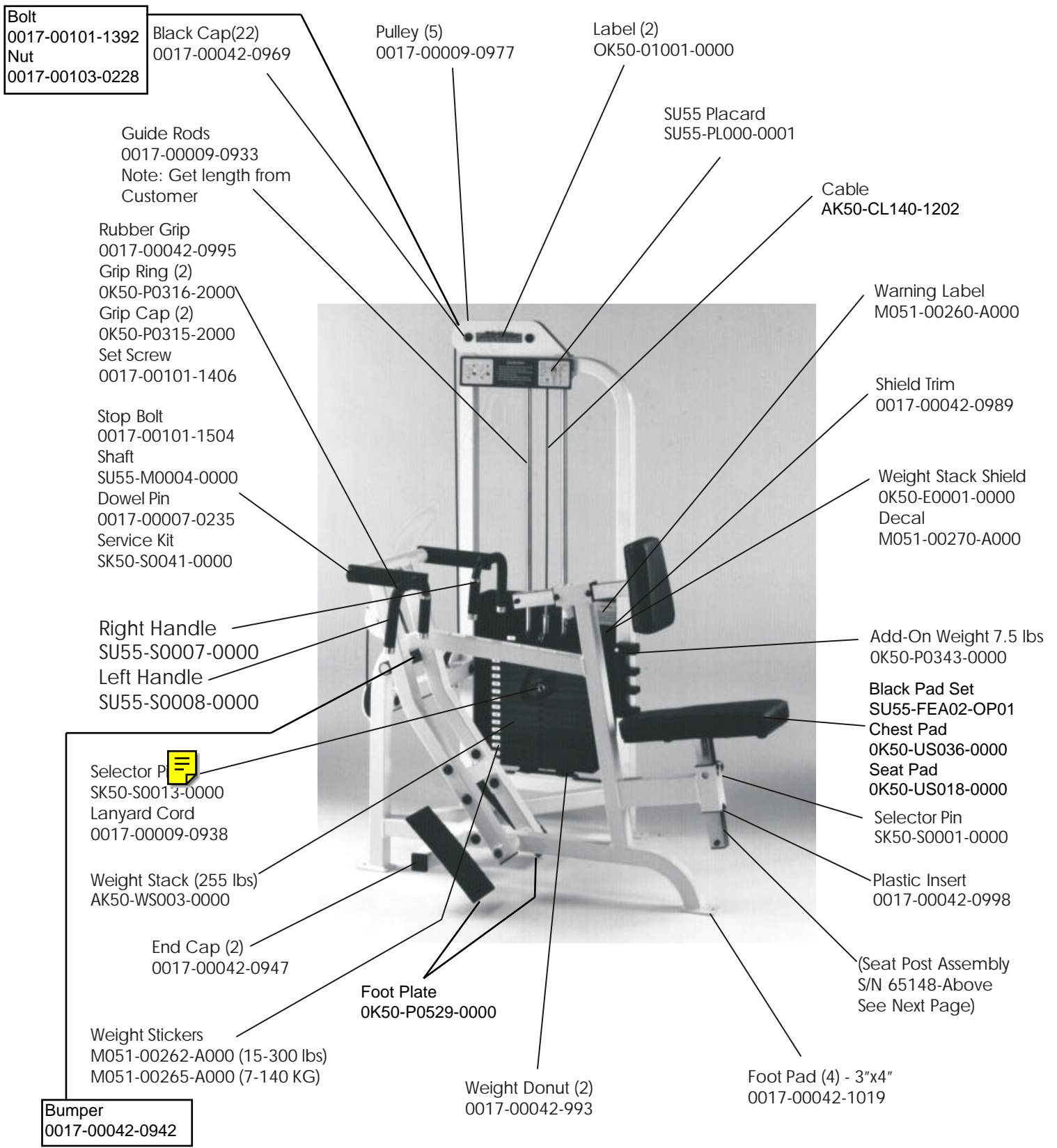


SELECTORIZED STRENGTH TRAINING EQUIPMENT

SU55 Seated Row



Bolt
0017-00101-1392
Nut
0017-00103-0228

Black Cap(22)
0017-00042-0969

Pulley (5)
0017-00009-0977

Label (2)
OK50-01001-0000

Guide Rods
0017-00009-0933
Note: Get length from
Customer

SU55 Placard
SU55-PL000-0001

Cable
AK50-CL140-1202

Rubber Grip
0017-00042-0995
Grip Ring (2)
OK50-P0316-2000
Grip Cap (2)
OK50-P0315-2000
Set Screw
0017-00101-1406

Warning Label
M051-00260-A000

Stop Bolt
0017-00101-1504
Shaft
SU55-M0004-0000
Dowel Pin
0017-00007-0235
Service Kit
SK50-S0041-0000

Shield Trim
0017-00042-0989

Weight Stack Shield
OK50-E0001-0000
Decal
M051-00270-A000

Right Handle
SU55-S0007-0000
Left Handle
SU55-S0008-0000

Add-On Weight 7.5 lbs
OK50-P0343-0000

Black Pad Set
SU55-FEA02-OP01
Chest Pad
OK50-US036-0000
Seat Pad
OK50-US018-0000

Selector Pin
SK50-S0013-0000
Lanyard Cord
0017-00009-0938

Selector Pin
SK50-S0001-0000

Weight Stack (255 lbs)
AK50-WS003-0000

Plastic Insert
0017-00042-0998

End Cap (2)
0017-00042-0947

(Seat Post Assembly
S/N 65148-Above
See Next Page)

Foot Plate
OK50-P0529-0000

Weight Stickers
M051-00262-A000 (15-300 lbs)
M051-00265-A000 (7-140 KG)

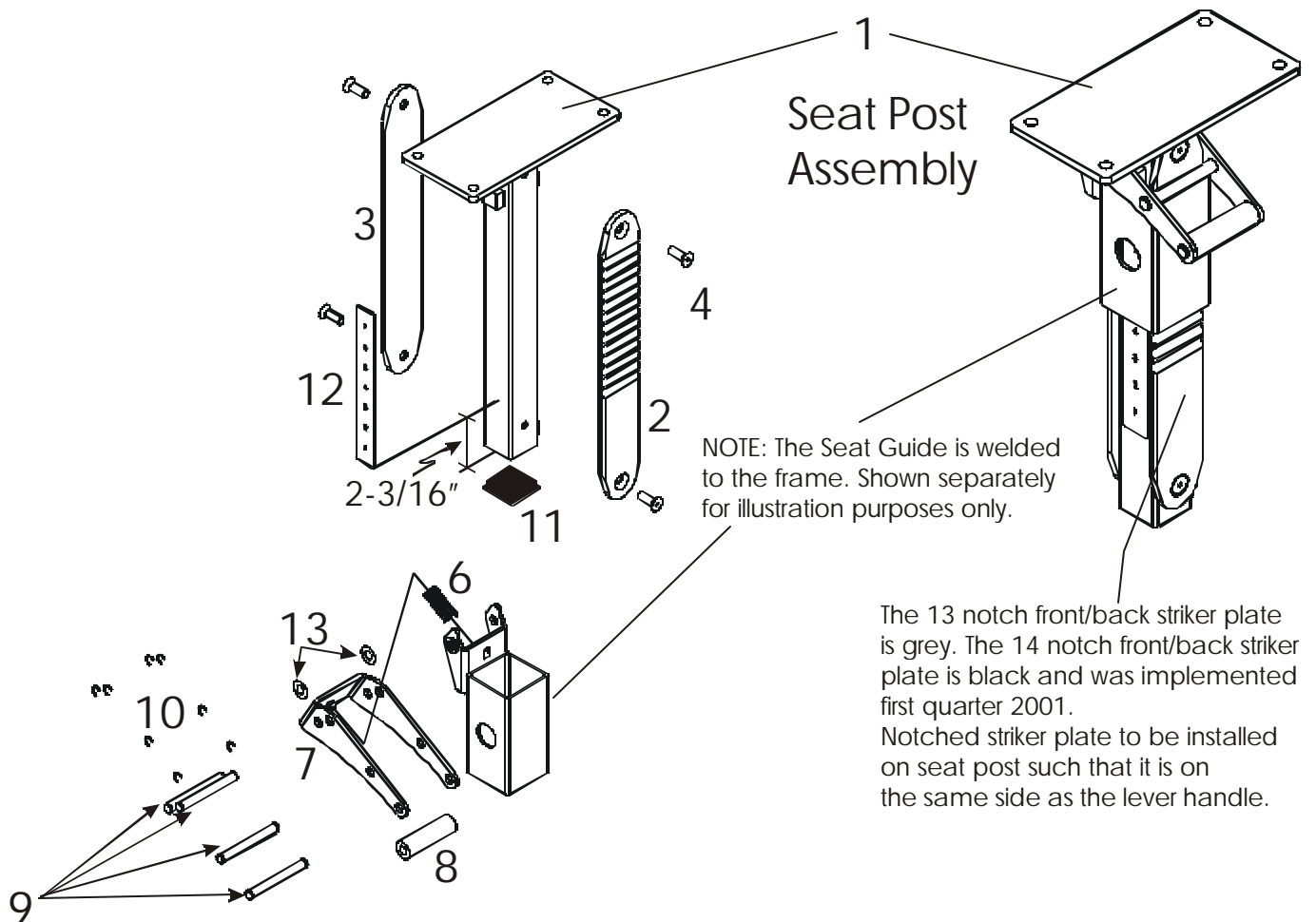
Weight Donut (2)
0017-00042-993

Foot Pad (4) - 3"x4"
0017-00042-1019

Bumper
0017-00042-0942

SELECTORIZED STRENGTH TRAINING EQUIPMENT

SU55 Seat Post Assembly - S/N 65148-Above



BILL OF MATERIALS

Item No.	Qty.	Part Number	Description
1	1	AK50-S0028-0000	Seat post assembly
2	1	0K50-P0547-0000	Front striker plate (14 notch)
3	1	0K50-P0548-0000	Back striker plate
4	4	0017-00101-1655	5/16" x 24 flat bolt
6	1	0017-00009-1079	Spring
7	1	0K50-P0550-0000	Lever release
8	1	0017-00042-1089	Rubber grip
9	4	0K50-P0551-0000	Grooved pin
10	8	0017-00100-0190	Retaining clips
11	1	0017-00042-0944	1-1/2" x 1-1/2" End cap
12	1	M051-00363-A000	Number strip
13	2	0017-00104-0373	Nylon washer